

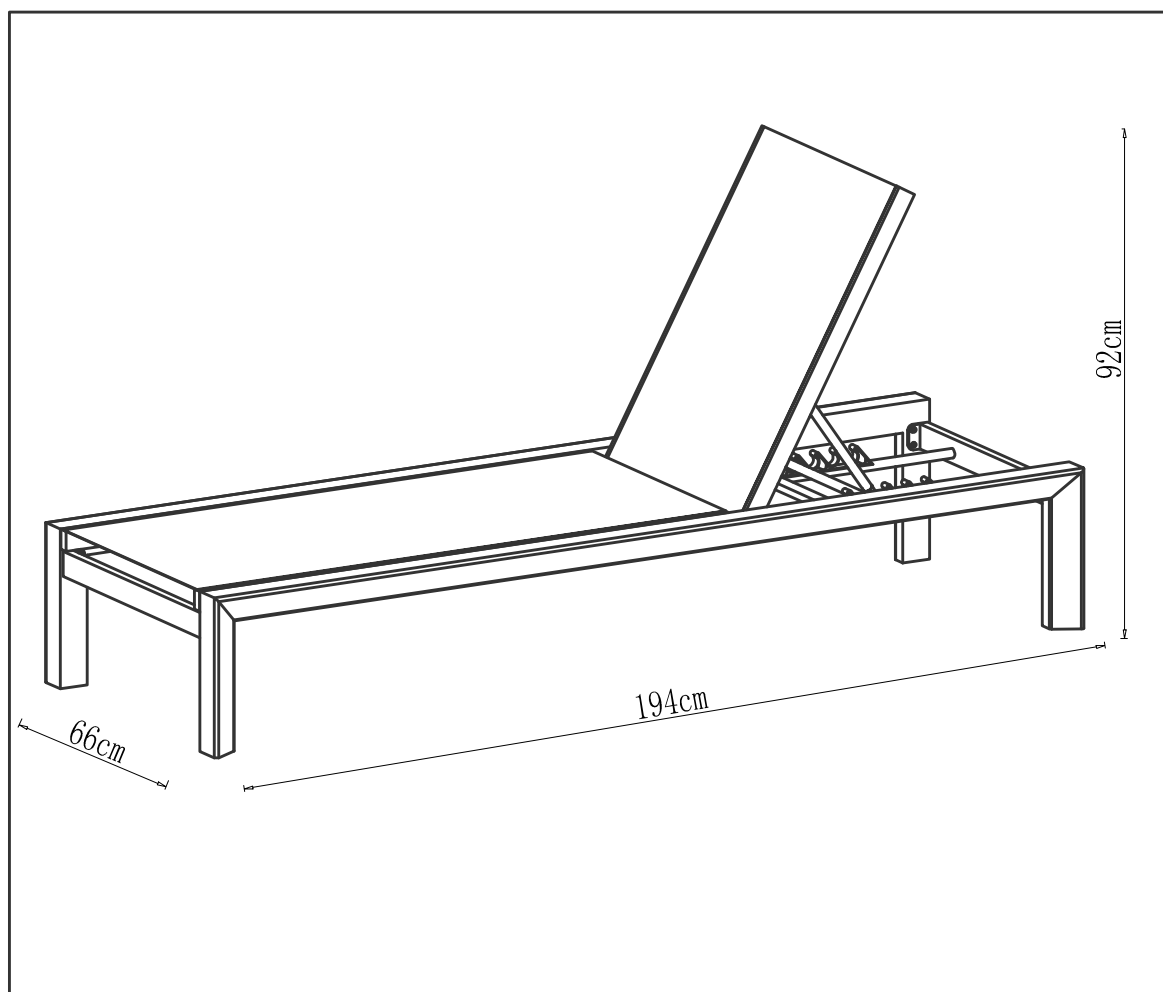


ASSEMBLY INSTRUCTION

BOHDI SUNLOUNGE

ITEM CODE - 68633

Imported by Amart Furniture Pty Ltd, Qld, Brisbane Australia .
For any assistance with assembly or for missing parts please phone
Amart Furniture , Customer Service Freecall 1800 351 084





Imported by Amart Furniture Pty Ltd, Qld, Brisbane Australia .
For any assistance with assembly or for missing parts please phone
Amart Furniture, Customer Service Freecall 1800 351 084

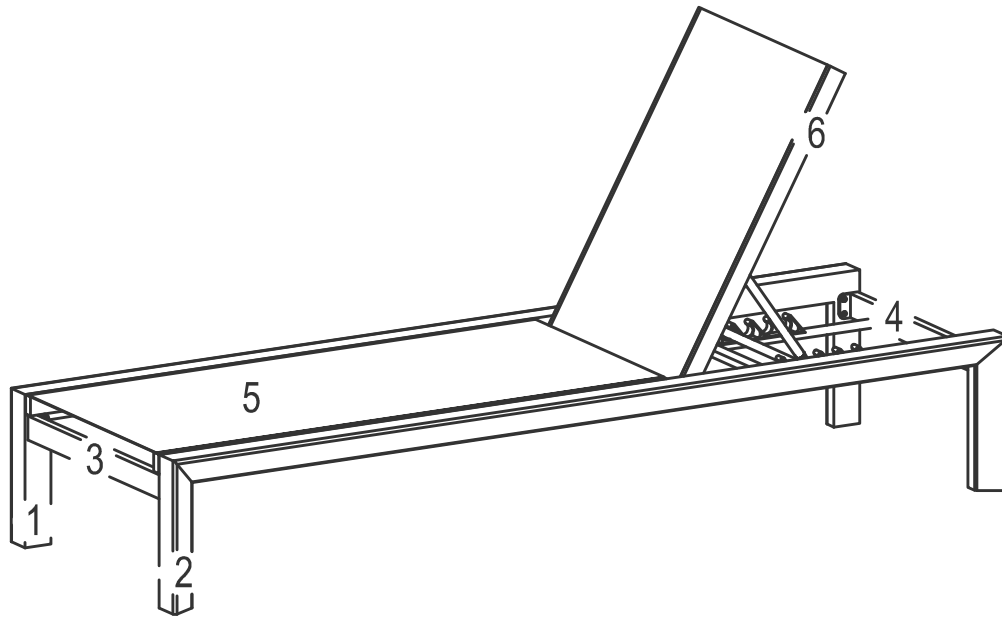
PRE-ASSEMBLY PREPARATION




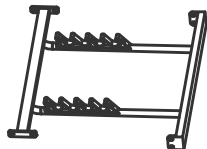
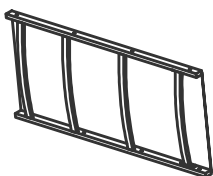
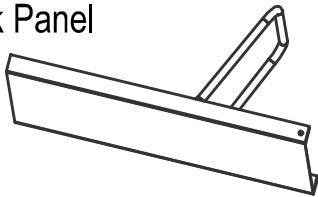
Before you start:




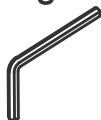

1. Choose a clean, level, spacious assembly area. Avoid hard surfaces that may damage the product.
2. Take care when lifting. Product should be assembled as near as possible to the point of use.
3. Ensure that you have all required contents for complete assembly.
4. Always read the assembly instructions carefully before beginning assembly.
5. Keep all hardware parts and packaging out of reach of small children.
6. Do not over tighten the screws and bolts as this may damage the threads.

	
ALLOW 20 MINUTES	PEOPLE REQUIRED
ADDITIONAL TOOLS REQUIRED	

PARTS LIST









<p>1 Right Leg 1PC</p> 	<p>2 Left Leg 1PC</p> 
<p>3 Connecting Rod 1PC</p> 	<p>4 Back Panel Support Bar 1PC</p> 
<p>5 Seat Panel 1PC</p> 	<p>6 Back Panel 1PC</p> 

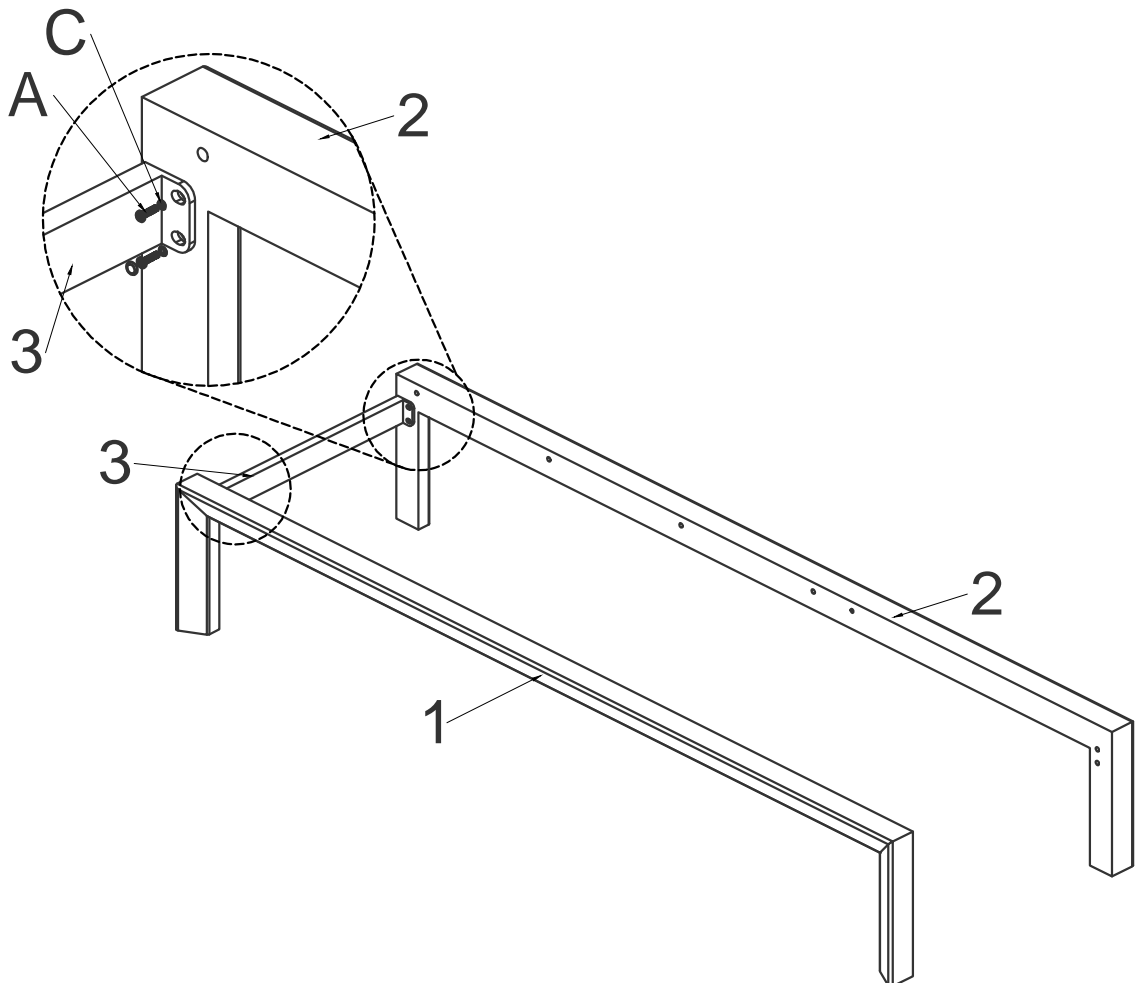
<p>A. Bolt</p>  <p>M6*20*12PCS</p>	<p>B. Bolt</p>  <p>M6*35*10PCS</p>	<p>C. Shim</p>  <p>M6*22PCS</p>	<p>D. Hexagon Key</p>  <p>M6*1PC</p>
<p>E. Plastic Washer</p>  <p>M6*2PCS</p>			

Step 1:

ITEMS REQUIRED

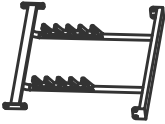



1. Right Leg 1PC 	2. Left Leg 1PC 	3. Connecting Rod 1PC 
A. Bolt  M6*20*4PCS	C. Shim  M6*4PCS	D. Hexagon Key  M6*1PC

- Attach connecting rod (3) to right leg (1) and left leg (2) using bolt (A) with shim (C).
- **Insert all bolts before fully tightening.**
- Tighten with hexagon key (D) .

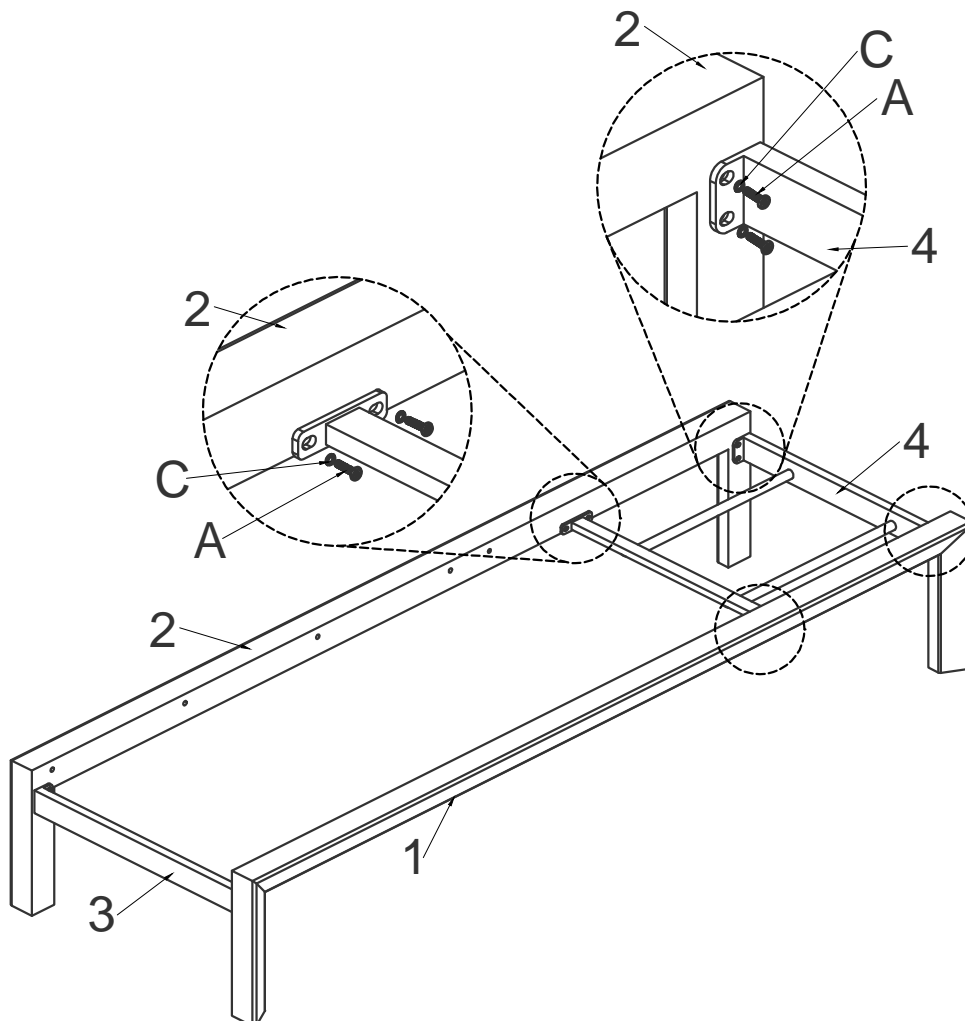


Step 2:

ITEMS REQUIRED

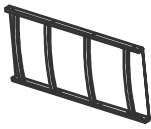



4. Back Panel Support Bar 1PC 		
A. Bolt  M6*20*8PCS	C. Shim  M6*8PCS	D. Hexagon Key  M6*1PC

- Attach back panel support bar (4) to right leg (1) and left leg (2) using bolt (A) with shim (C).
- Insert all bolts before fully tightening.
- Tighten with hexagon key (D).

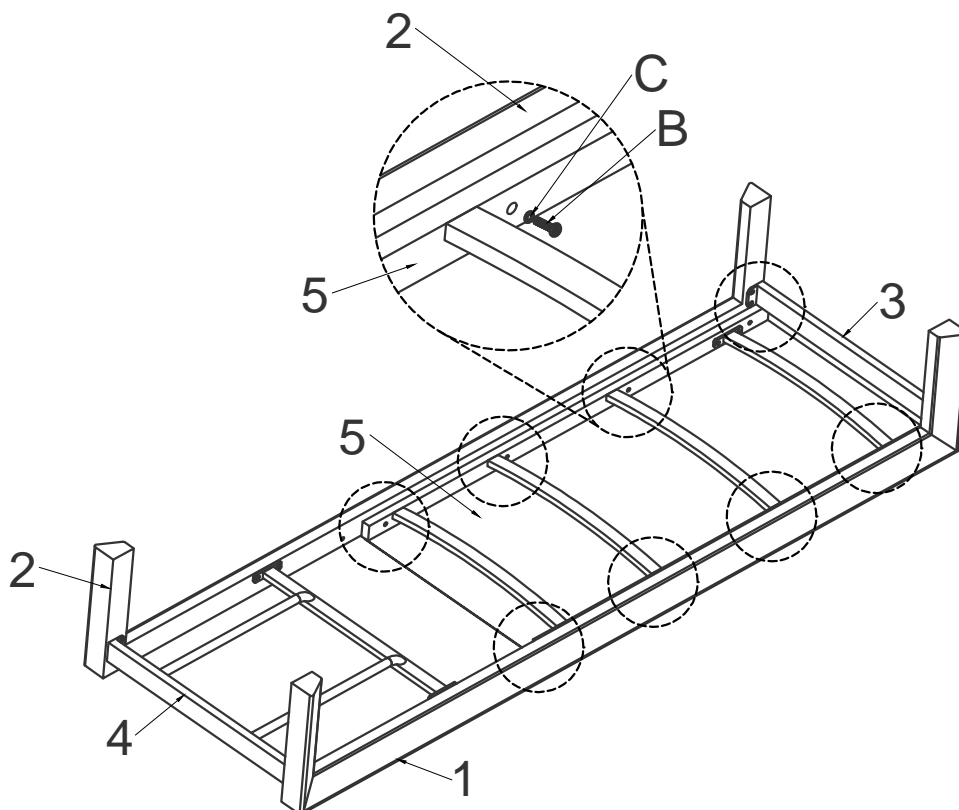


Step 3:

ITEMS REQUIRED

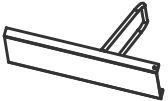




5. Seat Panel 1PC 		
B. Bolt  M6*35*8PCS	C. Shim  M6*8PCS	D. Hexagon Key  M6*1PC

- Attach seat panel (5) to right leg (1) and left leg (2) using bolt (B) with shim (C).
- Insert all bolts before fully tightening.
- Tighten with hexagon key (D).

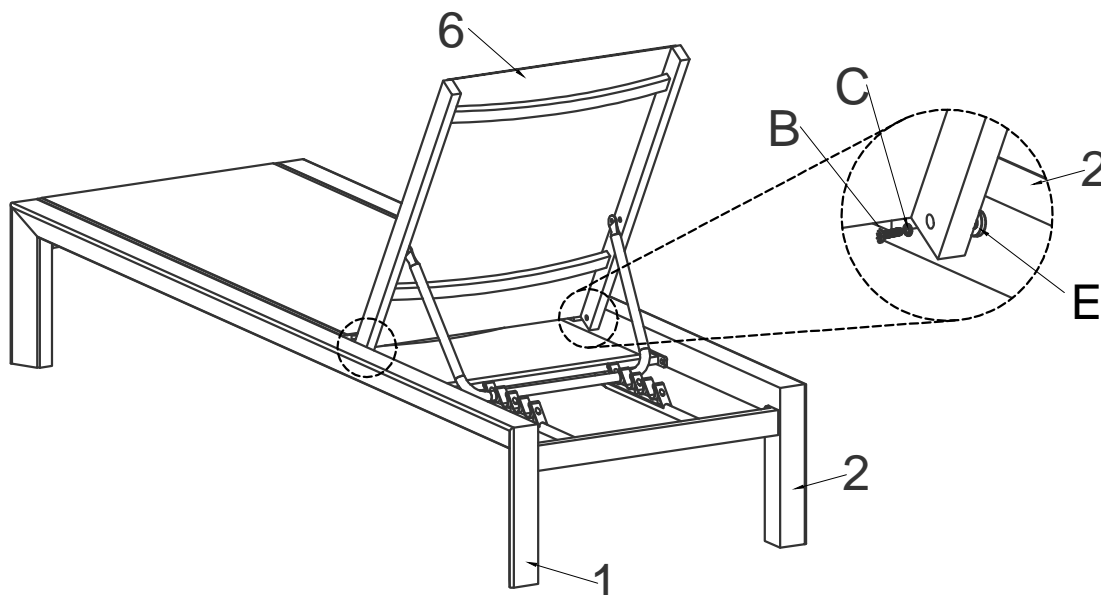


Step 4:

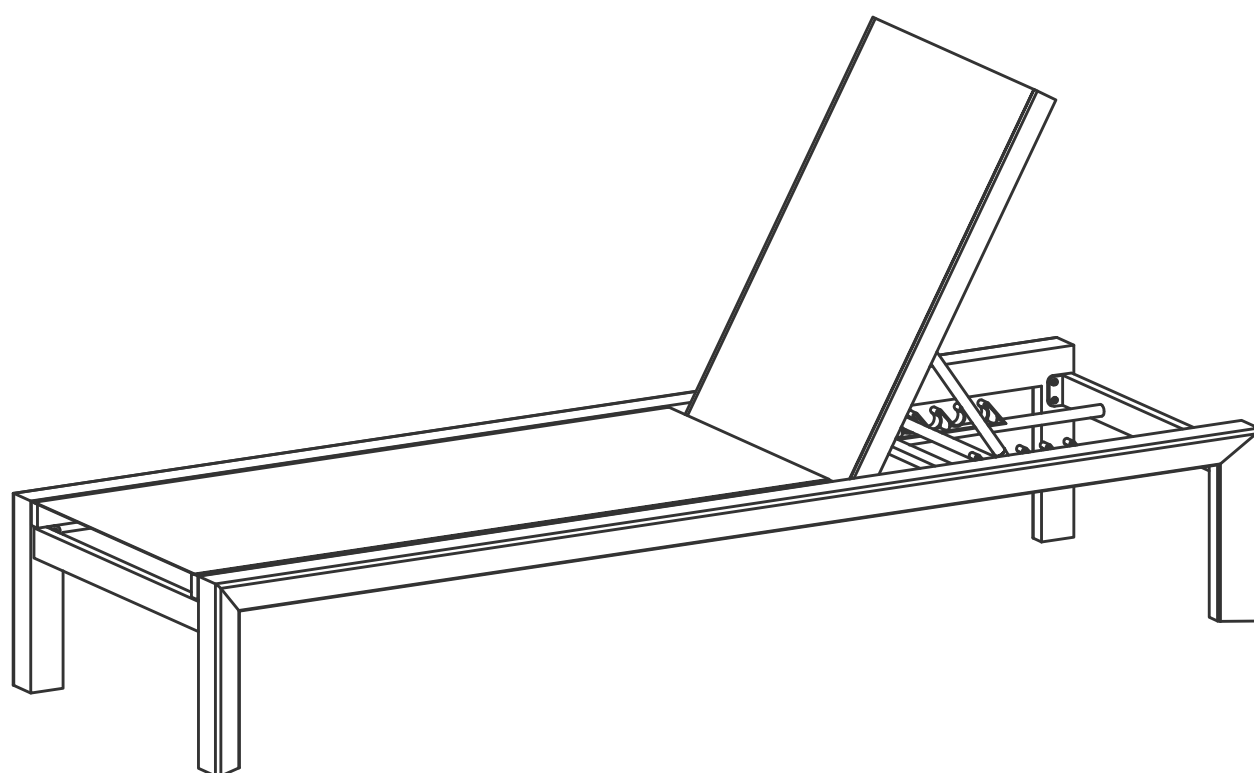
ITEMS REQUIRED

6. Back Panel 1PC 			
B. Bolt  M6*35*2PCS	C. Shim  M6*2PCS	D. Hexagon Key  M6*1PC	E. Plastic Washer  M6*2PCS

- Attach back panel (6) to right leg (1) and left leg (2) using bolt (B) with shim (C) and plastic washer (E) .
- Plastic washer (E) needs to be between leg (2) and back panel (6).
- **Insert all bolts before fully tightening.**
- Tighten with hexagon key (D) .



ASSEMBLY IS COMPLETE



Care and maintenance



Aluminium

- ☒ Item is designed for use outdoors. However we do not recommend leaving this product outside when not in use. To preserve the life of this item, avoid prolonged exposure to the elements & store inside/under cover or use an outdoor cover.
- ☒ DO NOT allow the furniture to be left in the rain or left wet for extended periods of time.
- ☒ Wipe furniture Dry immediately after it becoming wet.
- ☒ DO NOT clean your furniture down with any harsh solvents, abrasives or chemicals.
- ☒ To remove dirt and grime, simply rinse with fresh water or periodically clean using a sponge and mild detergent solution as required